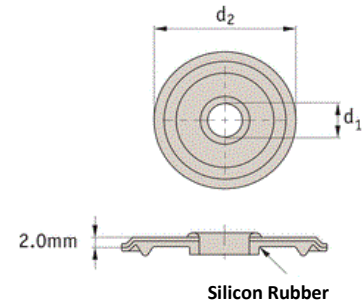


## Seal Washers



Seal Washers										
Diameter-d1	M3	M3	M4	M4	M5	M5	M6	M8	M10	M12
d2	12.7	25.4	12.7	25.4	12.7	25.4	25.4	25.4	25.4	25.4

Material: A2 Stainless Steel With Ribbed Silicon Bonded Sealing Element

Seals Substances In And Contaminates Out, Re-usable.

Maximum Temperature Range 'C'  $-100^{\circ}$  To  $-260^{\circ}$   
 IP 66/68 Rated, Pressure Range Exceeds 100 psi Internal And External

**INFORMATION AND DRAWINGS PROVIDED ARE REFERENCE ONLY**